



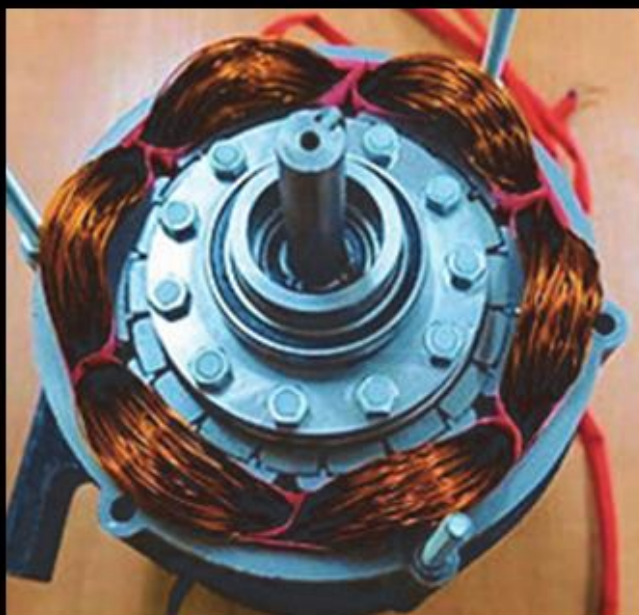
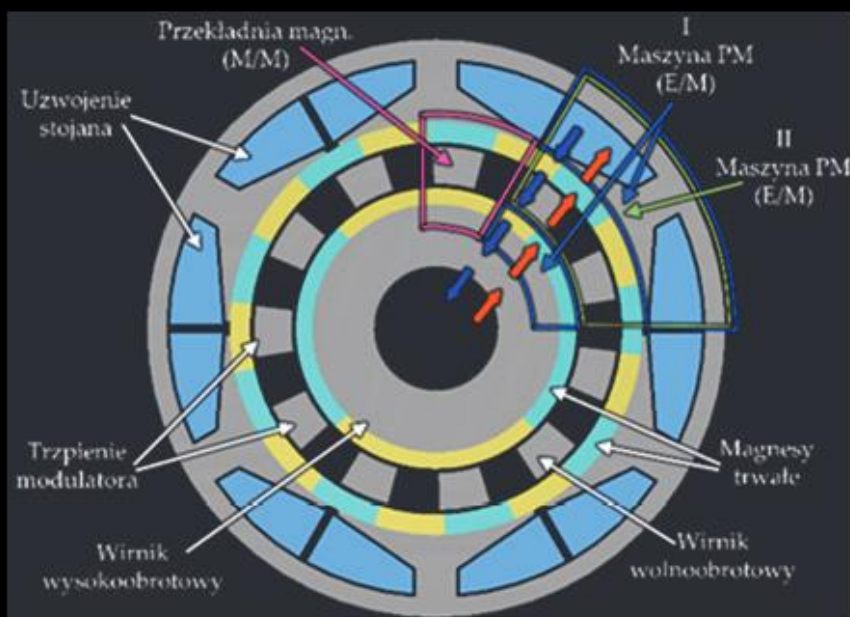
# PRZEGLĄD ELEKTROTECHNICZNY

ROK XCIX

WYDAWNICTWO  
SIGMA-NOT



cena 70 zł  
(w tym 8% VAT)



Przeгляд konstrukcji przekładni magnetycznych  
Transformation of energy through the magnetic field  
Page 249

## Contents

01	<b>P.Esther Jebarani, N.Umadev</b> - Grey Wolf Optimization Based Breast Cancer Detection using 1D Convolution LSTM Classifier	1
02	<b>Ghassan Ahmad Ismaeel</b> - Machine Learning to Diagnose Breast Cancer	10
03	<b>Iva KAVANKOVA, Stanislav KOVAR, Jan VALOUCH, Milan ADAMEK</b> - Review of Nanoantennas Application	13
04	<b>Olexandr SHAVOLKIN, Iryna SHVEDCHYKOVA, Michal KOLCUN, Dušan MEDVEĎ, Svitlana DEMISHONKOVA</b> - Implementation of planned power generation for a grid-tied photovoltaic system with a storage battery for self-consumption of local object	18
05	<b>Azdiana MD YUSOP, Muhammad Aiman Syazwan MOHD SHABRI, Noor Asyikin SULAIMAN, Khairun Nisa KHAMIL, Ramizi MOHAMMED, Juwita MOHD SULTAN</b> - Development and Evaluation of Dual Axis Solar Tracking System with IoT Data Monitoring	28
06	<b>Naoual TIDJANI, Djamel OUNNAS, Abderrezak GUESSOUM</b> - Teaching-learning based optimization approach for solar cell model parameter identification	33
07	<b>Nurulidayu SAINUDDIN, Juwita MOHD SULTAN, Mohamed AZUANI</b> - Multi-core and Single-core Raspberry Pi Microprocessor's	38
08	<b>Juwita MOHD SULTAN, Glen Lendle ANAK GAPAR, Philip BENACHOUR, Azdiana Md YUSOP</b> - Quality of Service (QoS) by Utility Evolved Packet Core (EPC) in LTE Network	44
09	<b>Laith A. KHALAF, Omar T. MAHMOOD, Ahmed M. T. IBRAHEEM</b> - Smart speed control of BLDC motor using programmable logic controller	48
10	<b>Sreekanth Mamidala, Dr. G. Mohan, Dr. C. Veeramani</b> - Iterative modelling of convergent divergent passage to embed over the renewable energy resources to augment the power generation	54
11	<b>Bożena ŁOWKIS, Jan ZIAJA, Aleksandra Anna KRAFT</b> - The influence of the electrode material on the dielectric properties of PET films	58
12	<b>Kornelia BANASIK, Andrzej Ł. CHOJNACKI, Agata KAŻMIERCZYŃ</b> - Analysis of annual load variability in the Polish electric power system	62
13	<b>Marcin MARTYNIUK</b> - Analysis of the impact of the earth electrode on the required separation distance from lightning protection systems	67
14	<b>Jacek Maciej STANKIEWICZ</b> - Evaluation of the influence of the skin effect on the maximum efficiency of the WPT system	73
15	<b>Michał KRYSZKOWIAK, Dominik MATECKI</b> - Current modulator in thyristor complex power rectifier systems	80
16	<b>Dominika KACZOROWSKA, Przemysław JANIK, Jacek REZMER</b> - Analysis of long term energy storage performance supporting a PV system and residential load	86
17	<b>Sławomir ŁUKJANOW</b> - How to check the electronic and electrical devices of motor vehicles for electromagnetic compatibility	91
18	<b>Fatiha GHALEB, Bruno CAILLER, Ahmed BELASRI, Soumia BENDELLA</b> - Experimental study of the breakdown process in planilium dielectric lamp	96
19	<b>Boris KOTOV, Seghii STEPANENKO, Oleh TSURKAN, Volodymyr HRYSHCHENKO, Yurii PANTSUR, Ihor GARASYMCHUK, Anatolii SPIRIN, Ihor KUPCHUK</b> - Fractioning of grain materials in the vertical ring air channel during electric field imposition	100
20	<b>Aymen Dhafer Abdulnafa, Suha S Ahmed</b> - Enhancement Performance of DSTATCOM depending on PV System Supply control	105
21	<b>Beddi Abdelraouf, Hicham Serhoud, Hebbir Nacer</b> - Comparative study of Sliding Mode and incremental conductance for Maximum Power Point Tracker for Photovoltaic Array	111
22	<b>Ines MAHMOUD, Imen SAIDI</b> - A dead-beat internal model control for trajectory tracking in discrete-time linear system	116
23	<b>Riyadh Zaghloul Mahmood, Hiba-Aallah Tariq Abdullah</b> - FPGA-Based high speed two ways parallel histogram computation for grey image	120
24	<b>Yacine Djeghader, Zouhir Boumous, Samira Boumous</b> - Investigation and Filtering of Harmonic Currents in Hybrids Renewable Energy System	124
25	<b>Bushra Muhammed Ahmad, Farhad E Mahmood, Hiba A. Alsawaf</b> - Non Orthogonal Multiple Access verses Orthogonal Multiple Access performance comparison in 5G communication systems	129
26	<b>Imam Wahyudi Farid, Ardyono Priyadi, Mauridhi Hery Purnomo, Muhammad Abdillah . Anang Tjahjono, Naoto Yorino</b> - Advanced Extreme Learning Machine for An Hour PV Forecast Using General Weather Data	134
27	<b>Gabriel E. CHANCHÍ-GOLONDRINO<sup>1</sup>, Manuel A. OSPINA-ALARCON, Liset S. RODRIGUEZ-BACA</b> - IoT system for CO2 level monitoring and analysis in educational environments	140
28	<b>Petra DOSTALOVA</b> - Trends in security technologies	147
29	<b>Łukasz SOŁTYSEK, Radosław DUDZIK</b> - Monitoring and initial diagnostics of powered loads from digital switchboards compatible with Industry 4.0	151
30	<b>Andrzej Ł. CHOJNACKI</b> - Analysis of Seasonality and Causes of Equipment and Facility Failures in Electric Power Distribution Networks	157
31	<b>Joanna BUDZISZ, Michał CZOSNYKA</b> - Efficiency of AFDD operation at low load currents	164
32	<b>Jacek STARZYNSKI, Robert SZMURŁO, Piotr ROWINSKI, Andrzej MICHALSKI, Zbigniew WATRAL, Stanisław WINCENIAK</b> - Searching for the best optimizer for an automated CAD system	167
33	<b>Tomasz ADRIKOWSKI</b> - The universal method of determining the state of charge and total charge of batteries based on the coulomb counter	170
34	<b>Adrian NOCON, Tomasz KUREK</b> - Analysis of the state of batteries in a low-budget electric vehicle	174
35	<b>Sebastian BARTEL<sup>1</sup>, Krzysztof KLUSZCZYŃSKI</b> - Approximation of the function of electrodynamic force acting in a piston electromagnetic pump	179
36	<b>Anna DAĐA, Paweł BŁAUT</b> - Application of nanoparticles in insulation materials	185
37	<b>Adam JAKUBAS, Ewa ŁADA-TONDYRA, Łukasz SUCHECKI</b> - The application of composites based on recycled materials for electromagnetic field shielding	190
38	<b>Ewa ŁADA-TONDYRA, Kamil JURASZEK, Adam JAKUBAS</b> - Innovative textronics solutions using photovoltaic cell	194
39	<b>Paweł MUSZYŃSKI, Jacek KUSZNIER, Paweł KUSZNIER</b> - Influence of geometry of HUD optical system on screen luminance distribution	198
40	<b>Bogdan PERKA, Marek SUPRONIUK, Karol PIWOWARSKI, Piotr PAZIEWSKI, Witold KACZMAREK</b> - Determination of the influence of the building structure on the heating of halogen-free electric cables	203

## Contents

41	<b>Dariusz SAJEWICZ, Wojciech ŁAGUNA, Waldemar CHMIELAK</b> - Detection of fault events in electric motor based on analysis of data from fault recorders	207
42	<b>Emilia SOBIESKA, Konrad SOBOLEWSKI</b> - Investigation of the possibility of using artificial neural networks in the process of assessing the threat of lightning	211
43	<b>Grzegorz TATOŃ, Artur Kacprzyk, Tomasz ROK, Anna WASIK, Marcin SIWEK</b> - Is the hypersensitivity to electromagnetic fields caused by a physical mechanism or is it a psychological problem?	215
44	<b>Mirosław WCISLIK, Paweł STRZĄBAŁA</b> - Numerical analysis of harmonic propagation in single-phase AC circuit with nonlinear load	220
45	<b>Dariusz SZTAFROWSKI, Edyta SZCZUKA</b> - Field testing of influence of the EMF exposure on the results of electrodermal activity measurements	226
46	<b>Grzegorz KŁOSOWSKI, Michał MAJ, Michał OLESZEK</b> - Comparison of CNN and LSTM algorithms for solving the EIT inverse problem	230
47	<b>Adam JAKUBAS, Marko Hernaiz</b> - Problems of switching off photovoltaic micro installations	234
48	<b>Agnieszka Duraj, Łukasz Chomątek</b> - Outlier detection in EEG signals	237
49	<b>Edward KOZŁOWSKI, Krzysztof KRÓL</b> - Identification of inclusions with LDA in the EIT	241
50	<b>Michał MAJ, Damian PLISZCZUK, Tomasz CIEPLAK</b> - Automation of optical quality control in the example of the furniture industry	245
51	<b>Janusz Kołodziej, Marcin Kowol, Piotr Mynarek, Marian Łukaniszyn</b> - The transformation of energy through the magnetic field	249
52	<b>Michał LEWANDOWSKI, Dawid BUŁA</b> - Automatic detection of commutator elements of an electric machine based on measurements of its surface	256
53	<b>Dariusz ŚWIERCZYŃSKI, Andrzej JASIŃSKI, Renata SULIMA, Grzegorz GROCHOWSKI, Artur MORADEWICZ, Adam MILCZAREK</b> - Six-phase drive with PMSM motor for electric and hybrid vehicles	262
54	<b>Dominik GNAŚ, Przemysław ADAMKIEWICZ</b> - Precise indoor location system using Ultra-Wideband technology	270
55	<b>Jan SIKORA</b> - Forward acoustic problem analysed by Boundary Element Method	274
56	<b>Oleksii HYKA, Andres VEJAR</b> - Analysis of 3D head rotations for eye tracking calibration in large computer monitors	278
57	<b>Tomasz SZABAŁA, Andres VEJAR</b> - Exploratory Study on Remote Photoplethysmography using Visible Light Cameras	282
58	<b>Janusz BARAN, Andrzej JĄDERKO</b> - Experimental Research of Dynamic Conditions of a Wind Energy Conversion System with PMSG on a Laboratory Stand	286
59	<b>Borys BOROWIK, Michał PYRC, Michał GRUC</b> - Design and kinematical analysis of a robot supporting rehabilitation	290
60	<b>Aleksander CHUDY, Paweł A. MAZUREK</b> - Ultra-fast charging of electric bus fleet and its impact on power quality parameters	294
61	<b>Agnieszka Joanna DRZYMAŁA, Ewa KORZENIEWSKA</b> - Analysis of the profitability of a photovoltaic investment by private investors depending on the level of self-consumption of the energy produced in the amended RES Act in Poland	298
62	<b>Pavol FINDURA, Oľga URBANOVIČOVÁ, Paweł KIELBASA, Miroslav PRISTAVKA, Zuzana BAJUSOVÁ</b> - Fertilizer application monitoring with AgroDoc software for plant fertilization optimization	303
63	<b>Paweł KIELBASA, Tomasz DRÓŻDŻ, Anna MIERNIK, Sławomir KURPASKA</b> - The influence of low-temperature plasma on the electromagnetic spectrum structure of the selected liquid	307
64	<b>Anna KOZIOROWSKA, Weronika WILCZAK, Katarzyna KOZIOL, Robert KRASOWSKI, Marek KOZIOROWSKI</b> - The electromagnetic field influence on the steroidogenesis process in the sexually immature lambs uterus	311
65	<b>Marcin TOMASIK<sup>1</sup>, Stanisław LIS</b> - Problems of operation of autonomous robots mobile AMRs	315
66	<b>Karolina TRZYNIĘC, Dawid KĄDZIOLA, Maria STACHURSKA</b> - Application of bioelectrical brain activity research to assess the level of attention of a farm tractor operator	319
67	<b>Vitaliy VLASOVETS, Tatiana VLASENKO, Stepan KOVALYSHYN, Olesy KOVALYSHYN, Oleg KOVALYSHYN, Sławomir KURPASKA, Paweł KIELBASA, Oľeksandra BILOVOD, Lyudmila SHULGA</b> - Effect of various factors on the measurement error of structural components of machine parts materials microhardness using computer vision methods	325
68	<b>Jacek KLIMEK</b> - The impact of changes in the apodization profile of the Bragg grating on its spectral characteristics	330

1. Boris KOTOV<sup>1</sup>, 2. Seghii STEPANENKO<sup>2</sup>, 3. Oleh TSURKAN<sup>3,4</sup>, 4. Volodymyr HRYSHCHENKO<sup>5</sup>,  
5. Yurii PANTSUR<sup>1</sup>, 6. Ihor GARASYMCHUK<sup>1</sup>, 7. Anatolii SPIRIN<sup>3,4</sup>, 8. Ihor KUPCHUK<sup>3</sup>

Podillia State University (1), National Scientific Center «Institute of Agricultural Mechanization and Electrification» (2),  
Vinnytsia National Agrarian University (3), Separated structural unit «Ladyzhyn Professional College of Vinnytsia National  
Agrarian University» (4), National University of Life and Environmental Sciences of Ukraine (5)  
ORCID: 1. 0000-0001-6369-3025; 2. 0000-0002-8331-4632; 3. 0000-0002-7218-0026; 4. 0000-0001-7789-3650;  
5. 0000-0003-2969-1936; 6. 0000-0002-4304-4447; 7. 0000-0002-4642-6205; 8. 0000-0002-2973-6914

doi:10.15199/48.2023.01.19

## Fractioning of grain materials in the vertical ring air channel during electric field imposition

**Abstract.** The problem of obtaining high-quality (commercial) food grains and seeds of cereals and oilseeds can be solved by using fractional technology for post-harvest processing of grain. The shortcomings of existing machines can be eliminated if, when a particle moves in an ascending air flow, the orientation of its axes of inertia in the channel space is stabilized. One of the effective ways of directional orientation of elongated grains can be the imposition of a stable electric field on a two-phase flow (grain-air). The article theoretically summarizes and proposes a new solution to the scientific problem of increasing the efficiency of the process of separating grain material according to the complex of aerodynamic and electrophysical properties of individual components of the grain material.

**Streszczenie.** Problem otrzymywania wysokiej jakości (handlowych) zbóż spożywczych oraz nasion zbóż i roślin oleistych można rozwiązać stosując technologię frakcyjną do późniejszego przerobu ziarna. Wady istniejących maszyn można wyeliminować, jeśli podczas ruchu cząstki we wznoszącym się strumieniu powietrza ustabilizuje się orientacja jej osi bezwładności w przestrzeni kanału. Jednym ze skutecznych sposobów kierunkowej orientacji wydłużonych ziaren może być nałożenie stabilnego pola elektrycznego na przepływ dwufazowy (ziarno-powietrze). W artykule teoretycznie podsumowano i zaproponowano nowe rozwiązanie problemu naukowego zwiększenia wydajności procesu separacji materiału ziarnowego według kompleksu właściwości aerodynamicznych i elektrofizycznych poszczególnych składników materiału ziarnowego. (Fracjonowanie materiałów ziarnistych w pionowym pierścieniowym kanale powietrznym podczas nakładania pola elektrycznego)

**Keywords:** grain material, air channel, fractionation, electric field.

**Słowa kluczowe:** falcjonowanie materiału ziarnistego, pole elektryczne

### Introduction

The problem of obtaining high-quality (commercial) food grain and seeds of cereals and oilseeds can be successfully solved by using fractional technology of post-harvest processing of grain. The essence of the technology is the fastest, without intermediate storage, separation of grain coming from the field into seed, food and feed fractions. For such separation of grain heap at an early stage of post-combine processing it is possible and expedient to carry out air grain separating machines operating on fractional technology [1-3].

### Analysis of literary sources and problem statement

The advantages of air separation are obvious: simplicity of designs; lack of moving parts; high reliability; the separation process depends little on the moisture content of the grain material [4-6]. However, the existing designs of pneumatic separating machines with vertical [7-9], horizontal [1-6] and inclined [8] air (aspiration) channels have insufficient technological efficiency, because their development and design did not take into account the following features: uneven air velocity in the section channels; interaction of particles with each other; rotation of particles in air vortices; unstable orientation of particles of oblong shape, which is random.

The listed factors at operating pneumatic separators with vertical channels lead to losses of qualitative grains, as a result of their hit in waste, and garbage impurity get to fraction of qualitative grain. The quality of separation does not exceed 50%, ie up to 50% of quality grain is released.

Known attempts to improve the quality of grain separation are accompanied by significant design improvements: the use of multi-level grain input into the channel [7]; the use of pneumatic weighing of the grain layer on the scaly surface of the pneumatic duct feeder [10, 11]. However, these improvements, although they allowed to increase the productivity and efficiency of separation to a small extent, do not solve the problem of grain fractionation

in vertical channels, for this purpose, use horizontal [6] and inclined channels [8].

However, in [12-14] the possibility and efficiency of separation of grain material into fractions in vertical annular channels were revealed [4-7, 11]. In [7] the process of separation of grain material components in the lower part of the annular channel was investigated. But mathematical models do not consider the uneven flow rate. A similar shortcoming is in [12], in addition, incorrectly formulated differential equations are used. The pneumogravity process of separation of grain material components was studied more thoroughly in [15-17], and the aerodynamic scheme of the pneumoseparator was improved. But studies have adopted the shape of the grains in the form of a sphere, which even when rotating does not change the midline cross section and, accordingly, does not change the force of aerodynamic drag, which depends on the orientation of the elongated grains.

In the air channel with turbulent air flow under the influence of non-uniform air velocity and the action of vortices in the flow of non-zero grain, the latter begins to rotate relative to the oncoming flow, which leads to continuous (random) changes in the midline grain cross section. This changes the strength of the aerodynamic drag of the grain, and the trajectory of the particle is constantly changing, which leads to a decrease in the quality of separation of grain material by aerodynamic properties.

The shortcomings generalized above can be eliminated if the orientation of its axes of inertia in the space of the channel is stabilized during the motion of the particle in the ascending air flow. One of the effective ways of directional orientation of elongated grains can be the application of a constant electric field on a two-phase flow (grain-air). As is known from the analysis of the operation of electric separators [16,17] when the grain of oblong shape (ellipsoid of rotation) in the air-weighted layer in the electrostatic field under the action of overturning electric moments grain is oriented along the field lines. Thus, if cylindrical electrodes

are placed in the vertical annular channel (on the outer and inner surfaces of the pneumatic channel, the grains should be oriented along the radius, and kept in this position during movement. In addition, the charged particle is exposed to additional forces of an electric nature, which in different ways affect the trajectory of individual components of the grain material. The action of additional forces should increase the effect of grain separation by aerodynamic and electrical properties.

### Purpose and tasks of research

Given the above, it is necessary to determine the conditions and methods for calculating the parameters of the process of separation of grain material. This can be achieved by mathematical modeling of the dynamics of grain motion in the inner channel under the action of aerodynamic electric and mass forces.

The purpose of research is to determine the trajectories of grains that differ in aerodynamic and electrical properties in the vertical non-uniform flow, and on their basis to quantify the quality of separation.

### Materials and methods

The specificity of the problems under consideration determines the analytical calculation method of studying the process of grain material separation into fractions in the vertical pneumatic channel with the lower separation zone, since the process is affected by numerous factors that can not be implemented in actual or modeled experiments. At the first stage of research, it is desirable to identify a physical ability to intensify the process and estimate to what extent to do so.

The criterion for separation efficiency lies in deviation (dispersion) of grain material components' trajectories at the place of their unloading:

$$(1) \quad \Delta x = x_2 - x_1,$$

where  $x_2$ - deviation of the heavy fraction;  $x_1$ - deviation of the medium fraction.

The limitation for trajectory analysis lies in maximum deviation  $x_{max}$ , the magnitude of which should never exceed the depth of the channel, the same for annular channel  $x_{max}$  (where  $R, r$  being the radii of the outer and inner cylindrical walls, of which the pneumatic channel consists). Under these conditions, the value of the efficiency criterion is determined by the following ratio:

$$(2) \quad \varepsilon = \frac{\Delta x}{R-r}.$$

As the main feature of the separation (characterizing the grain), assumed is its hovering velocity  $v_v$ , the value of which is associated with sailing ration  $k_v$  by dependences:

$$(3) \quad \frac{q}{v_v^2} = k_v = \frac{\xi(Re) \rho_a m}{2m},$$

where  $\xi(Re)$  is the aerodynamic drag ratio;  $\rho_a$ - air density;  $S_m$ - grain's Midelev section;  $m = V/\rho$ - grain weight;  $V$  - grain volume;  $\rho$  - grain density;  $Re$  - Reynolds number.

To calculate the trajectories of grain material's components, one should formulate mathematical description (model) of individual grains' movement dynamics under the action of forces determined on the basis of existing physical ideas about the interaction between particles and airflow during stationary electric field imposition.

### Research results

Formulation of the mathematical model for material movement process is implemented on the basis of compiled computational pattern (Fig. 1) of force interaction in the field of aerodynamic and electric forces, under the following assumptions: the grains are presented in the form of ellipsoids with defined size, density and mass; air flow is

stationary and leveled; the aerodynamic drag force is proportional to the flow velocity square; the air flow velocity is distributed in the cross section according to power law [13]:

$$(4) \quad v(x) = v \left( \frac{x}{B} \right)_{max}^{0.1},$$

(where  $B$  - half the depth of the channel axis;  $v_{max}$  - air velocity on the axis) and is considered as a rectifiable uniform flow.

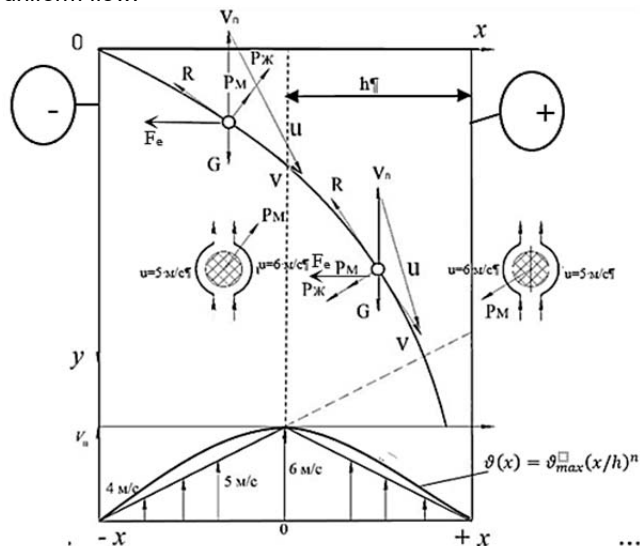


Fig. 1. Pattern of forces acting on particles in the pneumatic channel with imposed electric field

From the pattern of forces acting on (isolated) particle in the vertical air flow, we can determine their value and direction gravity:

$$(5) \quad \bar{G} = m\bar{g},$$

where  $g$  - free fall acceleration;  $m$  - the grain weight is directed vertically down and applied in the center of masses;

the force of aerodynamic resistance to air directed opposite to the relative speed vector:

$$(6) \quad \bar{R} = mk_v \bar{u}^2,$$

where  $\bar{u} = \bar{v}_a(x) - v$  is the grain's relative velocity;  $\bar{v}_a(x)$ - air flow rate;  $v$  - the grain's absolute velocity applied to the point of grain symmetry (velocity vector on the line tangent to the trajectory curve);

electric field strength:

$$(7) \quad \bar{F}_e = Q\bar{E},$$

where  $Q$  - the grain's electric charge;  $E$  - electric field strength.

With the grain being oriented with the long axis along the electrostatic field, its electric charge is determined using the formula:

$$(8) \quad Q = \frac{E_0 \varepsilon_0 b^2}{4[1+(\varepsilon_r-1)\Phi_1]},$$

for grains shaped as compressed ellipsoid oriented of the long axis along the electrostatic field, the electric charge is determined using the formula:

$$(9) \quad Q = \frac{E_0 \varepsilon_0 ab}{4[1+(\varepsilon_r-1)\Phi_1]},$$

where  $\Phi_1 = \frac{k^2}{\sqrt{(1-k^2)^3}} (\text{arth}\sqrt{1-k^2} - \sqrt{1-k^2})$  is the axial depolarization ratio;  $k = \frac{a}{b}$  the sphericity ratio;  $b$  - the length of the ellipsoid's major axis;  $a$  - the length of the small axis;  $E_0$ - the free space electric field's strength;  $\varepsilon_r$ - the grain's relative dielectric constant;  $\varepsilon_0$ - the electric constant ( $\varepsilon_0 = 8.85 \cdot 10^{-12} \text{F/m}$ ).

The grain shaped as ellipsoid, which is fed with an arbitrary orientation into the electric field, begins rotating so that its long axis would be directed along the field lines, i.e. to orient the long axis perpendicular to the electrodes that form the field. The process of the grain's turning in the electric field is carried out under the action of torque on the field's  $M_e$  side.

The torque value is determined using the formula [18]:

$$(10) \quad M_e = \frac{E_0^2}{8\pi} V_q \Phi_2 \sin 2\gamma = \mu \sin 2\gamma_{max},$$

where  $\Phi_2 = \frac{\Phi'_1 - \Phi_1}{((\epsilon_z - 1)^{-1} + \Phi_1)((\epsilon_z - 1)^{-1} + \Phi'_1)}$ ;  $\Phi'_1 = \frac{k^2}{2(1-k^2)} \left( \frac{1}{k^2} - \frac{\text{arth}\sqrt{1-k^2}}{\sqrt{1-k^2}} \right)$ ;  $V_q$ - the grain volume;  $\gamma$  - the angle between the movement direction and the ellipsoid's long axis.

In the course of grain orientation under the action of electric field (moment  $M_e$ ), the rotation is counteracted by the air resistance moment. The magnitude of this moment is determined for the following reasons. If the force of resistance to environment  $\Delta F$  generated by rotating body with its length element  $\Delta l$ , which is distant from the gravity center by  $l$  distance, then elementary moment  $\Delta M$  due to this force will equal to:

$$(11) \quad \Delta M_c = l \Delta F$$

The resistance force acting on the length element in linear (Stokes) approximation [16, 19] can be written as:

$$(12) \quad dF = k u dl$$

where  $k$  is a generalized resistance ratio;  $u$  - a linear velocity of element  $dl$ , which (for rotational motion) is determined by apparent expression:

$$(13) \quad u = l \dot{\phi} = \frac{d\phi}{dt},$$

where  $\frac{d\phi}{dt}$  is the rate of change in the inclination of the grain's long axis angle.

The moment of air resistance to grain rotation is defined using the equation [18, 20]:

$$(14) \quad dM_c = k \phi l^2 dl,$$

after integration:

$$(15) \quad M_c = k \phi \frac{l^3}{3} \quad \text{and} \quad \dot{\phi} = \dot{\gamma}.$$

Due to the fact that the pressure center of the air flow (Fig. 1) acting on the grain does not coincide with the center of masses [21], which is directed so as to orient the grain with a larger axis across the air flow  $\bar{V}_a$ . The magnitude of the torque is determined using the formula [22]:

$$(16) \quad M_a = k u^2 l_c \sin \gamma,$$

where  $u = v_a - v$  is the grain's relative velocity (flow rate);  $v_a$ - the air flow rate;  $v$  - the grain movement speed;  $l_c$  - the distance between the geometric center and the center of masses.

Having determined all the forces and torques acting on the grain, one can write the differential equations that determine the motion of the grain's center of masses in the ascending air flow in the following vector form (translational motion equation):

$$(17) \quad m \frac{d\bar{v}}{dt} = \bar{G} + \bar{F}_e + \bar{R},$$

and the equation of the grain's rotational motion, which describes the rotational motion dynamics:

$$(18) \quad J \frac{d\gamma}{dt} = M_c(\gamma) + M_a(\dot{\gamma}) + M(\gamma),$$

where  $J = m(a^2 + b^2)0.25$ .

By substituting the values of moments (15) and (16) we obtain:

$$(19) \quad m(a^2 + b^2)0.25 \frac{d^2\gamma}{dt^2} - k \frac{l^3}{3} \frac{d\gamma}{dt} + k(v_a(x) -$$

$$v(t))^2 \sin \gamma = 0.$$

The integration of equation (19) allows determining the time of the grain's reorientation in the air channel after its convergence into the air stream, but for this purpose one should determine  $v(t)$ - the change in the grain speed.

The dynamics of the grain material components' motion within the electropneumatic gravity classifier's vertical air flow is shown in Fig. 2 and Fig. 3.

Figure 2 shows the structural and technological diagram of the said classifier. Figure 3 shows the diagram of electrical communications (electrodes' connection to a high voltage unit). The block diagram is shown in paper [15, 16].

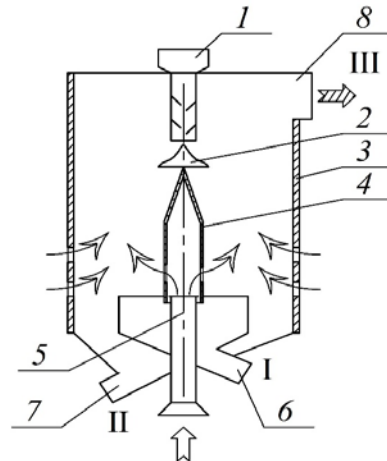


Fig. 2. Structural-and-process diagram of electropneumatic gravity classifier: 1 - loading hopper; 2 - grain flow distributor; 3 - cylindrical grounded housing; 4 - insulator; 5 - air intake pipe; 6 - heavy fraction collector- unloader; 7 - medium fraction collector -loader; 8 - light fraction's exit to the sedimentation chamber with a fan; 9 - crowning electrode.

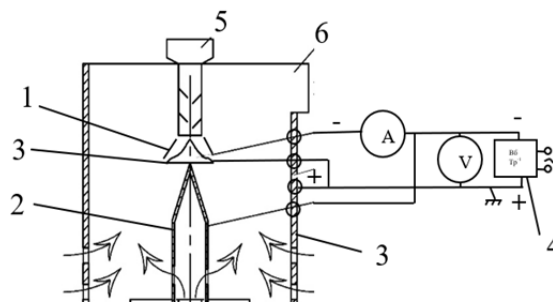


Fig. 3. Electrical switching diagram: 1 - crowning electrode; 2 - polarizing electrodes; 3 - grounded electrodes; 4 - power supply unit; 5 - loading hopper; 6 - light fraction's exit to the sedimentation chamber.

Electropneumatic gravity classifier contains the grain material hopper loader into the channel, from which the grain material through the pipe with braking elements is fed by a loose flux to the distribution cone, on which a grounded electrode is fixed, over which the crowning electrode in the form of a conical wire mesh 0.2 mm in diameter is placed. The grounded electrode is separated from the polarizing electrode by the insulator, which is located on the outer surface of the inner hollow conical insert located axially in a cylindrical housing. (Negative) voltage from the high-voltage unit is applied to the electrode through the insulator. The internal cavity insert is connected to the ambient air and to the pneumatic duct through the windows. There are slits on the pneumatic duct's outer walls for ambient air suction. From the slits, air flow moves in the boundary layer of the inner surface, washing the grounded housing electrode; at the same time, light particles' sticking to the surface is

leveled. The cylindrical part of the unloader's collector is used as the separator of the fractions being separated. To clean the light fraction from debris (light fine particles) at the air flow outlet from the pneumatic channel, an inertial sedimentary chamber is installed.

The process of the electric pneumatic-gravitational classifier's functioning (operation) can be described (defined) as follows. The exhaust fan generates a certain discharge in the channel's volume, thus generating an outlet air flow. Presence of distributed windows and cracks in the structural elements of the diagram of air velocities in the channel's cross section can be adjusted so as to eliminate the negative impact of the channel's stagnant zones.

Passing along the feed pipe, grain material enters the channel from the hopper, whereupon its flow is inhibited and fed to the distribution cone in a loose form. Passing between negative and grounded positive crowning electrodes, the particles receive negative electric charge  $Q$  and, entering the space between the cylindrical part of polarizing and grounding electrodes, are oriented as a long axis in the direction of electric field vector  $\vec{E}$ , i.e. in the radial direction. Particles of grain material components that have greater weight (or density) deviate from the channel's axis by a smaller distance and fall into the collector, from which they are unloaded; lighter ones (medium fraction) are deflected by a greater distance and while falling down removed from the channel through the nozzle. Light-fraction particles have the largest deviation, being carried by the flow to the channel's upper part, and from there – to the sedimentation chamber where they are deposited and discharged through the pipe to the outside. In such a manner grain material components are divided into three fractions. In terms of commercial purpose, these can be seed (I), food (II) and forage (III) fractions. The issue of how effective is the use of electric field to improve separation efficiency is determined in the materials of this article based on mathematical model formulation and research. The dynamics of grain material components' plane movement in the vertical ascending air flow at distributed velocity and imposed electric field is determined by designing equation (17) on the axis of rectangular HOU coordinates:

$$(20) \quad m \frac{dv_x}{dt} = -R_x \sin \beta - F_e,$$

$$(21) \quad m \frac{dv_y}{dt} = mg - R_y \cos \beta,$$

where  $R_x, R_y$ - projections of resistance forces on OX and OY axis;

$$\sin \beta = \frac{dx(t)/dt}{u(x,y)}, \cos \beta = \frac{dy(t)/dt}{u(x,y)},$$

where  $u(x,y)$  is the grain's relative velocity (streaming velocity), the value of which is determined using the formula:

$$(22) \quad u(x,y) = \sqrt{\left(\frac{dx(t)}{dt}\right)^2 + \left(\frac{dy(t)}{dt} + v_a(x)\right)^2}.$$

As is known from [13, 18], air velocity is unevenly distributed in the cross section of vertical channels (according to the exponential or logarithmic law). In the near-wall zones of the channel, the velocity is zero. Flow unevenness determines the action of uncontrolled lateral forces. In proposed aerodynamic diagram of the device, one can align the diagram of air velocities in the cross section of the channel. Fig. 4 illustrates the field of air velocities in the channel being studied. Change in the velocity in the channel's lower part and reduction of its value in the channel's upper part causes deformation of the particles' trajectory in the direction of straightening, which increases divergence in trajectories of grain material's light and heavy components. When calculating the trajectories of

different fractions' grains, the change in flow velocity in height is determined by the following linear functions:

for the channel's lower part:

$$(23) \quad v_a(y)_1 = a_1 - b_1 y,$$

for the channel's upper part:

$$(24) \quad v_a(y)_2 = a_2 + b_2 y,$$

where  $a_1, b_1, a_2, b_2$ - approximation ratios.

Air velocity in the channel's cross section is uniform  $\frac{dv_a}{dx} = 0$ . Let's define projections of acting forces:

$$(25) \quad R_x = mk_0 S_x \left(\frac{dx(t)}{dt}\right) \sqrt{\left(\frac{dx(t)}{dt}\right)^2 + \left(\frac{dy(t)}{dt} + v_a(y)_{1,2}\right)^2};$$

$$(26) \quad R_y = mk_0 S_y \left(\frac{dy(t)}{dt} + v_a(y)_{1,2}\right) \sqrt{\left(\frac{dx(t)}{dt}\right)^2 + \left(\frac{dy(t)}{dt} + v_a(y)_{1,2}\right)^2}.$$

Grain's transparent frontal area:

$$(27) \quad S_x = \pi a \sqrt{a^2 \sin^2 \phi} = \pi a^2 \sin \phi;$$

$$(28) \quad S_y = \pi a \sqrt{b^2 \cos^2 \phi} = \pi a b \cos \phi;$$

$$(29) \quad F_{ex} = QE = \frac{S_y \varepsilon_r}{4\pi(1+(\varepsilon_r-1)\Phi_1)} E(y),$$

$$F_{ey} = 0, E(y) = E3_{max}$$

where  $\varepsilon_r$  is the grain's dielectric constant (moisture-dependent) and grain density ( $\varepsilon_r = 10 \dots 80$ ).

We should keep in mind that the channel hosts a countercurrent movement between grain flow and air flow so that the channel's certain section is occupied by grain, and effective air velocity in the intergranular space will be increased as compared to the empty channel. The value of grain's actual velocity can be determined from the apparent ratio:

$$(30) \quad v_a^*(y) = \frac{v_f}{\varepsilon},$$

where  $v_f$ - air velocity in the empty channel;  $\varepsilon$  - two-phase flow differential.

Hence, obtained equations (20), (21) with relations (22) - (30) constitute a mathematical model of the dynamics of the grain's planar motion in a vertical channel with imposed electrostatic field.

For numerical solution of differential (nonlinear) equations, let us set the initial conditions:

$$(31) \quad t = x = y = 0; \frac{dx(t)}{dt} = v_0 \cos \alpha_0; \frac{dy(t)}{dt} = v_0 \sin \alpha_0;$$

where  $v_0$ - the rate of the grain's entry into air flow;  $\alpha_0$ - the angle of the grain's entry into the air flow.

Solution of formulated system of equations with initial conditions (30) in MathCAD computer environment is obtained in the form of grain material components' trajectories, which differ by separation coefficient  $k$ . Fig. 4 shows grains' trajectories in the air flow of electropneumatic gravity classifier of grain material.

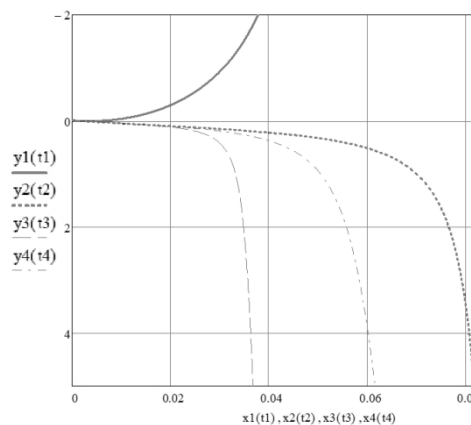


Fig. 4. Grain trajectories in the air flow of electropneumatic gravity classifier of grain material

## Conclusions

1. Theoretically, a new solution to the scientific problem of increasing the efficiency of the process of separation of grain material by a set of aerodynamic and electrophysical properties of individual components of grain material is generalized and proposed.

2. Based on the analysis of the total action on the grain material components of gravitational, aerodynamic and electric forces, a mathematical model is formulated in the form of differential equations of dynamics of individual grains in air flow with variable speed, and aggregate algebraic equations that determine the interaction of grains with air flow.

3. On the basis of numerical solution, a system of equations is formulated to determine the trajectories of individual components of grain material (wheat), which have the following parameters: the first fraction: (velocity)  $v_v = 1$  m/s; (mass)  $m = 42 \cdot 10^{-3}$  g; second fraction:  $v_v = 9$  m/s;  $m = 38 \cdot 10^{-3}$  g; third fraction:  $v_v = 5,5$  m/s;  $m = 35 \cdot 10^{-3}$  g. With the average value of the electric field strength  $E = 2 \dots 3$  kV/cm, the magnitude of the difference in trajectories at the place of unloading increased from 0,035 m to 0,044 m. Air speed (maximum value decreased from 12 to 9 m/s, respectively air consumption decreased by 25 %.

**Authors:** KOTOV Boris – D. Eng. Sc., Professor, Faculty of Engineering and Technology, Podillia State University (32316, 12, Shevchenko Str., Kamianets-Podilskyi, Khmelnytskyi region, Ukraine), e-mail: [eetsapk@pdatu.edu.ua](mailto:eetsapk@pdatu.edu.ua); STEPANENKO Serhii – D. Eng. Sc., Senior Researcher, National Scientific Center «Institute of Agricultural Mechanization and Electrification» (08631, 11, Vokzalna St, Glevakha, Fastiv district, Kyiv region, Ukraine), e-mail: [stepanenko\\_s@ukr.net](mailto:stepanenko_s@ukr.net); TSURKAN Oleh – Dr. Eng. Sc., Associate Professor, Faculty of Engineering and Technology, Vinnytsia National Agrarian University, director of Separated structural unit «Ladyzhyn Professional College of Vinnytsia National Agrarian University» (24321, 5 P. Kravchyka str., Ladyzhyn, Vinnytsia region, Ukraine), e-mail: [tsurkan\\_ov76@ukr.net](mailto:tsurkan_ov76@ukr.net); HRYSHCHENKO Volodymyr – PhD in Engineering, Senior Lecturer, Education and research institute of Energetics, Automatics and Energy saving, National University of Life and Environmental Sciences of Ukraine (03041, 12, Heroyiv Oborony str., Kyiv, Ukraine), e-mail: [vlqr@nubip.edu.ua](mailto:vlqr@nubip.edu.ua); PANTSUR Yuriy – PhD in Engineering, Associate Professor, Dean of the Faculty of Engineering and Technology, Podillia State University (32316, 12, Shevchenko Str., Kamianets-Podilskyi, Khmelnytskyi region, Ukraine), e-mail: [panziruriy@gmail.com](mailto:panziruriy@gmail.com); GARASYMCHUK Ihor – PhD in Engineering, Associate Professor, Head of the Department of Electrical Engineering, Electromechanics and Electrotechnology, Educational and Scientific Institute Of Energy, Podillia State University (32316, 12, Shevchenko Str., Kamianets-Podilskyi, Khmelnytskyi region, Ukraine), e-mail: [igorarasymchuk@gmail.com](mailto:igorarasymchuk@gmail.com); SPIRIN Anatolii – PhD in Engineering, Associate Professor, Faculty of Engineering and Technology, Vinnytsia National Agrarian University (21008, 3 Sonyachna str., Vinnytsia, Ukraine), e-mail: [spirinatanoly16@gmail.com](mailto:spirinatanoly16@gmail.com); KUPCHUK Ihor – PhD in Engineering, Associate Professor, Deputy Dean for Scientific Research, Faculty of Engineering and Technology, Vinnytsia National Agrarian University (21008, 3 Sonyachna str., Vinnytsia, Ukraine), e-mail: [kupchuk.igor@i.ua](mailto:kupchuk.igor@i.ua).

## REFERENCES

- Yaropud V., Hunko I., Aliiev E., Kupchuk I. Justification of the mechatronic system for pigsty microclimate maintenance. *Agraarteadus*. 32 (2021), nr 2, 212–218. <https://doi.org/10.15159/jas.21.21>
- Mazur V., Tkachuk O., Pantsyryeva H., Kupchuk I., Mordvaniuk M., Chynchyk O. Ecological suitability peas (*Pisum Sativum*) varieties to climate change in Ukraine. *Agraarteadus*, 32 (2021), nr 2, 276–283. <https://doi.org/10.15159/jas.21.26>
- Snezhkin J., Paziuk V., Petrova Zh., Tokarchuk O. Determination of the energy efficient modes for barley seeds drying. *INMATEH - Agricultural Engineering*. 61, (2020), nr. 2, 183–193.
- Kaletnik G., Honcharuk I., Yemchuk T., Okhota Y. The world experience in the regulation of the land circulation. *European Journal of Sustainable Development*, 9 (2020), nr. 2, 557–568. <https://doi.org/10.14207/ejsd.2020.v9n2p557>
- Poberezhets Ju., Chudak R., Kupchuk I., Yaropud V., Rutkevych V. Effect of probiotic supplement on nutrient digestibility and production traits on broiler chicken. *Agraarteadus*. 32 (2021), nr. 2, 296–302. <https://doi.org/10.15159/jas.21.28>
- Paziuk V., Vyshnevskiy V., Tokarchuk O., Kupchuk I. Substantiation of the energy efficient schedules of drying grain seeds. *Bulletin of the Transilvania University of Braşov, Series II: Forestry, Wood Industry, Agricultural Food Engineering*. 14(63) (2021), nr. 2, 137–146. <https://doi.org/10.31926/but.fwi.2021.14.63.2.13>
- Kotov B., Spirin A., Kalinichenko R., Bandura V., Polievoda Y., Tverdokhlib I. Determination of the parameters and modes of new heliocollectors constructions work for drying grain and vegetable raw material by active ventilation. *Research in Agricultural Engineering*, 65 (2019), nr. 1, 20–24. <https://doi.org/10.17221/73/2017-RAE>
- Adamchuk V., Bulgakov V., Ivanovs S., Holovach I., Ihnatiev Ye., Theoretical study of pneumatic separation of grain mixtures in vortex flow. *Engineering for Rural Development*, Jelgava, May 2021, 657–664. <https://doi.org/10.22616/ERDev.2021.20.TF139>
- Palamarchuk V., Krychkovskiy V., Honcharuk I., Telekalo N. The modeling of the production process of high-starch corn hybrids of different maturity groups. *European Journal of Sustainable Development*, 10 (2021), nr. 1, 584–598. <https://doi.org/10.14207/ejsd>
- Rogovskii I., Titova L., Trokhaniak V., Trokhaniak O., Stepanenko S. Experimental study of the process of grain cleaning in a vibro-pneumatic resistant separator with passive weeders. *Bulletin of the Transilvania University of Braşov, Series II: Forestry, Wood Industry, Agricultural Food Engineering*, 13(62) (2020), nr. 1, 117–128. <https://doi.org/10.31926/but.fwi.2020.13.62.1.11>
- Yaropud V. Analytical study of the automatic ventilation system for the intake of polluted air from the pigsty. *Scientific horizons*, 24 (2021), nr. 3, 19–27. [https://doi.org/10.48077/scihor.24\(3\).2021.19-27](https://doi.org/10.48077/scihor.24(3).2021.19-27)
- Gunko I., Babyn I., Aliiev E., Yaropud V., Hrytsun A. Research into operating modes of the air injector of the milking parlor flushing system. *UPB Scientific bulletin, Series D: Mechanical Engineering*, 83 (2021), nr. 2, 297–310.
- Paziuk V. M., Petrova Zh. O., Tokarchuk O. A., Yaropud V. M. Research of rational modes of drying rape seed, INMATEH – Agricultural Engineering, Romania, 58 (2019), nr. 2, 303–310.
- Paziuk V. M., Liubin M. V., Yaropud V. M., Tokarchuk O. A., Tokarchuk D. M. Research on the rational regimes of wheat seeds drying, INMATEH – Agricultural Engineering, Romania, 56 (2018), nr. 3, 39–48.
- Bandura V., Kalinichenko R., Kotov B., Spirin A. Theoretical rationale and identification of heat and mass transfer processes in vibration dryers with IR-energy supply. *Eastern-European Journal of Enterprise Technologies*, 94 (2018), nr.4, 50–58.
- Kotov B. I., Spirin A. B., Tverdokhlib I. V., Polyevoda Y. A., Hryshchenko V. O., Kalinichenko R. A. Theoretical researches on cooling process regularity of the grain material in the layer. *INMATEH – Agricultural Engineering*, 54 (2018), nr. 1, 87–94.
- Gunko I., Hraniak V., Yaropud V., Kupchuk I., Rutkevych V. Optical sensor of harmful air impurity concentration. *Przegląd Elektrotechniczny*, 97 (2021), nr. 7, 76–79. <https://doi.org/10.15199/48.2021.07.15>
- Matvijchuk V., Shtuts A., Kolisnyk M., Kupchuk I., Derevenko I. Investigation of the tubular and cylindrical billets stamping by rolling process with the use of computer simulation. *Periodica Polytechnica Mechanical Engineering*, 66 (2022), nr 1, 51–58. <https://doi.org/10.3311/PPme.18659>
- Kuznietsova I., Bandura V., Paziuk V., Tokarchuk O., Kupchuk I. Application of the differential scanning calorimetry method in the study of the tomato fruits drying process, *Agraarteadus*, 31 (2020), nr. 2, 173–180. <https://doi.org/10.15159/jas.20.14>
- Rutkevych V., Kupchuk I., Yaropud V., Hraniak V., Burlaka S. Numerical simulation of the liquid distribution problem by an adaptive flow distributor. *Przegląd Elektrotechniczny*, 98 (2022), nr 2, 64–69. <https://doi.org/10.15199/48.2022.02.13>
- Yanovych V., Honcharuk T., Honcharuk I., Kovalova K. Design of the system to control a vibratory machine for mixing loose materials. *Eastern-European Journal of Enterprise Technologies*, 90 (2017), nr 6(3), 4–13.
- Borysiuk D., Spirin A., Kupchuk I., Tverdokhlib I., Zelinskiy V., Smyrnov Ye., Ognevyy V. The methodology of determining the place of installation of accelerometers during vibrodiagnostic of controlled axes of wheeled tractors. *Przegląd Elektrotechniczny*, 97(2021), nr 10, 44–48. <https://doi.org/10.15199/48.2021.10.09>