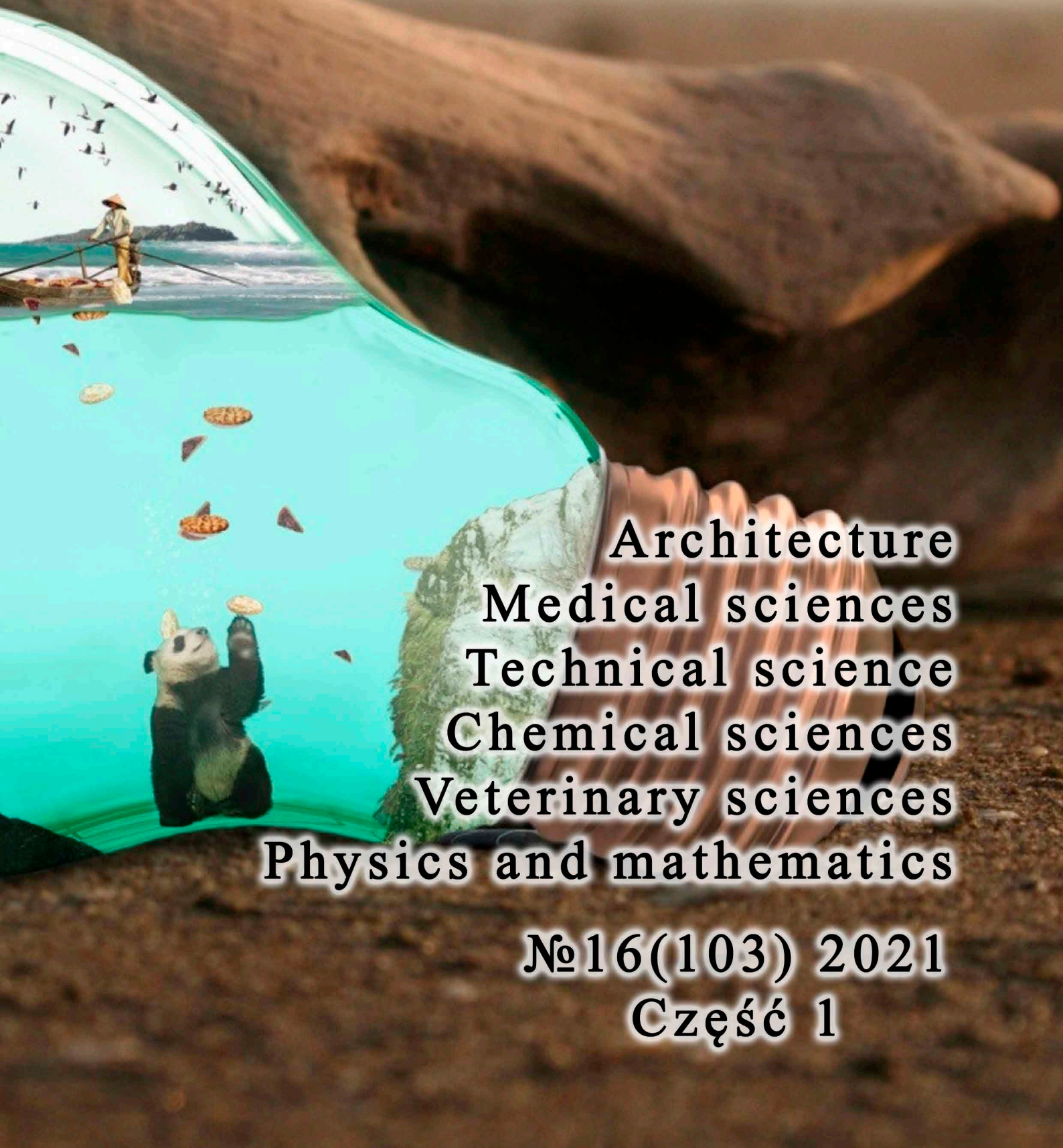


colloquium-journal

ISSN 2520-6990

Międzynarodowe czasopismo naukowe



**Architecture
Medical sciences
Technical science
Chemical sciences
Veterinary sciences
Physics and mathematics**

**№16(103) 2021
Część 1**



colloquium-journal

ISSN 2520-6990

ISSN 2520-2480

Colloquium-journal №16 (103), 2021

Część 1

(Warszawa, Polska)

Redaktor naczelny - **Paweł Nowak**
Ewa Kowalczyk

Rada naukowa

- **Dorota Dobija** - profesor i rachunkowości i zarządzania na uniwersytecie Koźmińskiego
- **Jemielniak Dariusz** - profesor dyrektor centrum naukowo-badawczego w zakresie organizacji i miejsc pracy, kierownik katedry zarządzania Międzynarodowego w Ku.
- **Mateusz Jabłoński** - politechnika Krakowska im. Tadeusza Kościuszki.
- **Henryka Danuta Stryczewska** – profesor, dziekan wydziału elektrotechniki i informatyki Politechniki Lubelskiej.
- **Bulakh Iryna Valerievna** - profesor nadzwyczajny w katedrze projektowania środowiska architektonicznego, Kijowski narodowy Uniwersytet budownictwa i architektury.
- **Leontiev Rudolf Georgievich** - doktor nauk ekonomicznych, profesor wyższej komisji atestacyjnej, główny naukowiec federalnego centrum badawczego chabarowska, dalekowschodni oddział rosyjskiej akademii nauk
- **Serebrennikova Anna Valerievna** - doktor prawa, profesor wydziału prawa karnego i kryminologii uniwersytetu Moskiewskiego M.V. Lomonosova, Rosja
- **Skopa Vitaliy Aleksandrovich** - doktor nauk historycznych, kierownik katedry filozofii i kulturoznawstwa
- **Pogrebnaya Yana Vsevolodovna** - doktor filologii, profesor nadzwyczajny, stawropolski państwowy Instytut pedagogiczny
- **Fanil Timeryanowicz Kuzbekov** - kandydat nauk historycznych, doktor nauk filologicznych. profesor, wydział Dziennikarstwa, Bashgosuniversitet
- **Aliyev Zakir Hussein oglu** - doctor of agricultural sciences, associate professor, professor of RAE academician RAPVHN and MAEP
- **Kanivets Alexander Vasilievich** - kandydat nauk technicznych, docent wydziału dyscypliny inżynierii ogólnej wydziału inżynierii i technologii państwowej akademii rolniczej w Połtawie
- **Yavorska-Vitkovska Monika** - doktor edukacji, szkoła Kuyavsky-Pomorsk w bidgoszczu, dziekan nauk o filozofii i biologii; doktor edukacji, profesor
- **Chernyak Lev Pavlovich** - doktor nauk technicznych, profesor, katedra technologii chemicznej materiałów kompozytowych narodowy uniwersytet techniczny ukrainy „Politechnika w Kijowie”
- **Vorona-Slivinskaya Lyubov Grigoryevna** - doktor nauk ekonomicznych, profesor, St. Petersburg University of Management Technologia i ekonomia
- **Voskresenskaya Elena Vladimirovna** doktor prawa, kierownik Katedry Prawa Cywilnego i Ochrony Własności Intelektualnej w dziedzinie techniki, Politechnika im. Piotra Wielkiego w Sankt Petersburgu
- **Tengiz Magradze** - doktor filozofii w dziedzinie energetyki i elektrotechniki, Georgian Technical University, Tbilisi, Gruzja
- **Usta-Azizova Dilnoza Ahrarovna** - kandydat nauk pedagogicznych, profesor nadzwyczajny, Tashkent Pediatric Medical Institute, Uzbekistan

    SlideShare



INDEX COPERNICUS
INTERNATIONAL

НАУЧНАЯ ЭЛЕКТРОННАЯ
БИБЛИОТЕКА
LIBRARY.RU

«Colloquium-journal»

Wydawca «Interdruk» Poland, Warszawa
Annopol 4, 03-236

E-mail: info@colloquium-journal.org
<http://www.colloquium-journal.org/>

CONTENTS

ARCHITECTURE

Низамова А. ИНТЕГРАЦИЯ СОВРЕМЕННЫХ ТЕХНОЛОГИЙ В СТРОИТЕЛЬСТВО	4
---	---

Nizamova A. INTEGRATION OF MODERN TECHNOLOGIES IN CONSTRUCTION	4
--	---

Низамова А. АДАПТИВНАЯ АРХИТЕКТУРА ПОВТОРНОГО ИСПОЛЬЗОВАНИЯ	6
---	---

Nizamova A. ADAPTIVE REUSABLE ARCHITECTURE	6
--	---

VETERINARY SCIENCES

Хоменко А.М., Локес-Крупка Т.П. ГИПЕРТИРЕОЗ СВИЙСЬКИХ СОБАК, ФАРМАКОКОРЕКЦІЯ ПАТОЛОГІЧНОГО СТАНУ	8
--	---

Khomenko A.M., Lokes-krupka T.P. HYPERTHYROIDISM OF DOMESTIC DOGS, PHARMACOLOGICAL CORRECTNESS PATHOLOGICAL CONDITION	8
---	---

TECHNICAL SCIENCE

Solomon A. M., Bondar M.M. MILK QUALITY OF DIFFERENT PRODUCERS.....	10
---	----

Бурлака С.А., Мазур І.М. ВПЛИВ БІОПАЛИВА НА НАДІЙНІСТЬ СИСТЕМИ ЖИВЛЕННЯ ДИЗЕЛЬНОГО ДВИГУНА	12
--	----

Burlaka S.A., Mazur I.M. THE IMPACT OF BIOFUELS ON THE RELIABILITY OF THE DIESEL ENGINE POWER SYSTEM	12
--	----

Кобылкина А.В., Кобылкин М.В., Риккер Ю.О. ОЦЕНКА ЭФФЕКТИВНОСТИ РЕКУПЕРАЦИИ ТЕПЛОТЫ «СЕРЫХ» СТОКОВ МАЛОГАБАРИТНЫМИ УСТРОЙСТВАМИ	17
--	----

Kobylkina A.V., Kobylkin M.V., Rikker Yu.O. ESTIMATION OF THE EFFICIENCY OF A HEAT RECOVERY OF "GRAY" WASTEWATER BY SMALL DEVICES	17
---	----

Маркин О.В., Кравченко Е.А., Буш А.В. АНАЛИЗ ПРИЧИН ИЗБЫТОЧНЫХ КОРОБЛЕНИЙ НЕРВЮРЫ ИЗ КОМПОЗИЦИОННОГО МАТЕРИАЛА	19
--	----

Markin O.V., Kravchenko E.A., Bush A.V. ANALYSIS OF THE CAUSES OF EXCESSIVE WARPING OF THE RIB MADE OF COMPOSITE MATERIAL.....	19
--	----

Гачак Ю.Р., Михайлицька О.Р., Гутий Б.В., Ваєрусевич Я.С. НОВІ ВИДИ СОЛОДКИХ КИСЛОМОЛОЧНИХ НАПОЇВ З МАСЛЯНКИ ІЗ ФІТОСИРОПАМИ "ГОРІХОВИЙ" ТА "МИГДАЛЬ"	23
--	----

Hachak Y., Mykhaylytska O., Gutyj B., Vavrysevych Y. NEW TYPES OF SWEET SOUR MILK DRINKS FROM BUTTERMILK WITH THE PHYTOSYRUPS "WALNUT" AND "ALMOND"	23
--	----

Саламов О.М., Мамедова Л.Г., Салманова Ф.А., Юсупов И.М. ВОЗМОЖНОСТИ ИСПОЛЬЗОВАНИЯ СОЛНЕЧНОЙ ЭНЕРГИИ В НЕКОТОРЫХ РЕГИОНАХ АЗЕРБАЙДЖАНСКОЙ РЕСПУБЛИКИ ВХОДЯЩИЕ В ЗОНЕ С.....	26
--	----

Salamov O., Mamedova L., Salmanova F., Yusupov I., POSSIBILITIES OF USING SOLAR ENERGY IN SOME REGIONS OF THE REPUBLIC OF AZERBAIJAN INCOMING AREA C	26
---	----

Ярошук Р.О. МЕТОДИ ЗАПОБІГАННЯ НЕГАТИВНОГО ВПЛИВУ СІЛЬСЬКОГОСПОДАРСЬКОЇ ТЕХНІКИ НА ҐРУНТ	35
--	----

Yaroshchuk R.O. METHODS FOR PREVENTING THE NEGATIVE IMPACT OF AGRICULTURAL MACHINERY ON THE SOIL	35
--	----

Kupchuk I., Kolisnyk M., Shtuts A., Paladii M., Didyk A. EXPERIMENTAL EVALUATION STRESS-STRAIN STATE FOR BILLETS DURING ROLLING STAMPING BY ROLLERS	40
--	----

Ihor Kupchuk
Mykola Kolisnyk
Andrii Shtuts
Maksym Paladii
Andrii Didyk

Vinnytsia National Agrarian University

[DOI: 10.24412/2520-6990-2021-16103-40-48](https://doi.org/10.24412/2520-6990-2021-16103-40-48)

EXPERIMENTAL EVALUATION STRESS-STRAIN STATE FOR BILLETS DURING ROLLING STAMPING BY ROLLERS

Abstract:

In article the outer and inner flanges production of the lids of distillation and fractional columns using blank stacks by the stamping by rolling method has been investigated. Analysis of metal forming and stress-strain state of the blanks was carried out in order to assess and expand the technological capabilities of the process. Formulas are obtained for determining the minimum radius of the mandrel to prevent fracture of blanks under bending and maximal width of the flange, provided control of the peripheral areas of destruction.

Keywords: stamping, combined technological process, external and internal rings, deformation, damage, stress, destruction

1. Introduction

In manufacturing machines, devices and apparatus a large number of different shell components are used. Therefore, in various branches of mechanical engineering, the processes of ductile deformation of blank stacks with a local deformation center have become widespread. They allow to increase productivity and to reduce energy consumption of production. One of such processes is rotary drawing, which provides form change of flat or shell blanks with the help of straining elements on a rotating mandrel [1].

Rotary drawing processes, especially on CNC machines, are multivariate ones due to their ability to actively control the trajectory of the straining tool and its position relative to the blank. Besides, the advantages of the rotary drawing are that it allows making parts that are difficult or almost impossible to obtain by traditional methods of drawing on presses (parts with a curved, stepped or convex-curved surface). In addition, equipment required for the implementation of rotary drawing processes is much simpler and cheaper than in traditional cold sheet metal stamping processes.

2. Materials and methods

The papers will be handed in the standard form described herein in electronic format. One of the types of rotary drawing is a one-run rotary drawing without wall thinning. It consists in converting a flat rotating blank into a hollow part or increasing the length of the hollow blank by moving it through a localized deformation center with a decrease in the transverse dimensions of

the semi-finished product without intentional thinning of the wall. In this case, the deformation center in the forming process moves along a trajectory that is identical to the shape of the elongated shell, and sequentially forms the entire blank. This process is carried out under the condition that the gap (Δ) between the pressing tool and the mandrel is greater than the initial thickness of the blank t :

$$\Delta > k(t \pm \delta_1),$$

where k is the coefficient that takes into account the thickening of the blank edge after drawing; $k=1, 1.1, 1.2$; δ_1 – the blank stack thickness tolerance, *mm*.

In the process of a one-run rotary drawing compression and tensile stresses are brought about in the metal, which at certain geometric ratios of the diameter, thickness and size of the blank flange lead to destruction of the material, as well as loss of stability of the molding process. Destruction of the blanks material occurs in the presence of tensile stresses, low ductility of the material and reaching significant deformations. The loss of stability of the process is characterized by the formation of corrugations and excessive local thinning of the walls in the form of a neck. In this regard, two types of a one-run rotary drawing are distinguished: without and with the pressure of the buckle holder. One-run rotary drawing without pressure, with the use of rollers of different shapes, as shown in Fig. 1, is used in manufacturing blanks with the elements of relatively small size. In this case, formation of corrugations can be avoided.

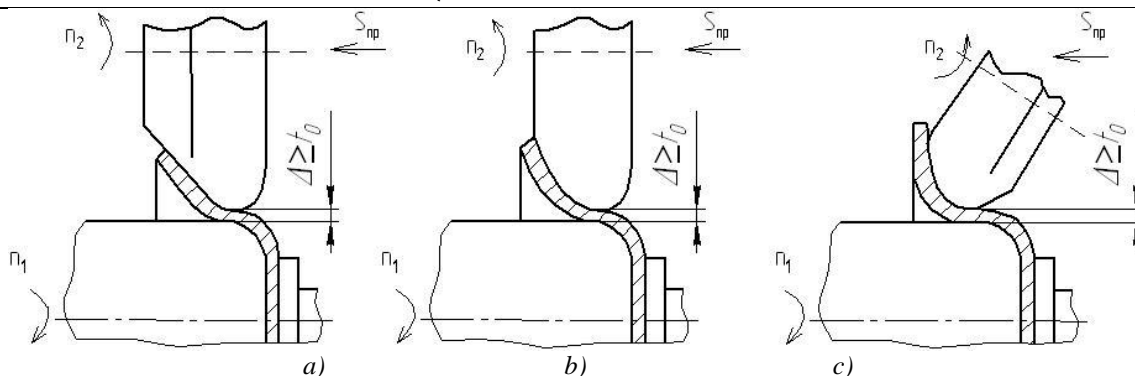


Fig. 1. Schemes of application of deforming tension: a – by a roller with a rectilinear working surface; b – by a roller with a curved working surface; c – by a roller established at a preset angle

At the one-run rotary drawing the schemes shown in Fig. 1a and b are mainly applied, as they make it possible to achieve a higher degree of deformation, compared with the scheme in Fig. 1c.

To obtain flanges and collars the process of stamping by rolling (SR) is also used [2], the stages of implementation of which are shown in the process flow chart in Fig. 2.

The advantage of this method is its simplicity, which lies in elimination the need for active control of the deforming tool trajectory and its position relative to

the blank, as well as high process productivity and quality of the formed surface. At the same time, the danger of destruction of the blank material and loss of the developed flanges formation stability remains: formation of corrugations of the external and the neck of the internal flanges may occur.

The aim of the research is to provide the necessary mechanical characteristics and geometric shape of axisymmetric parts of sheet material based on the blanks formation and deformability estimation depending on the parameters of the combined stamping by rolling-rotary drawing process.

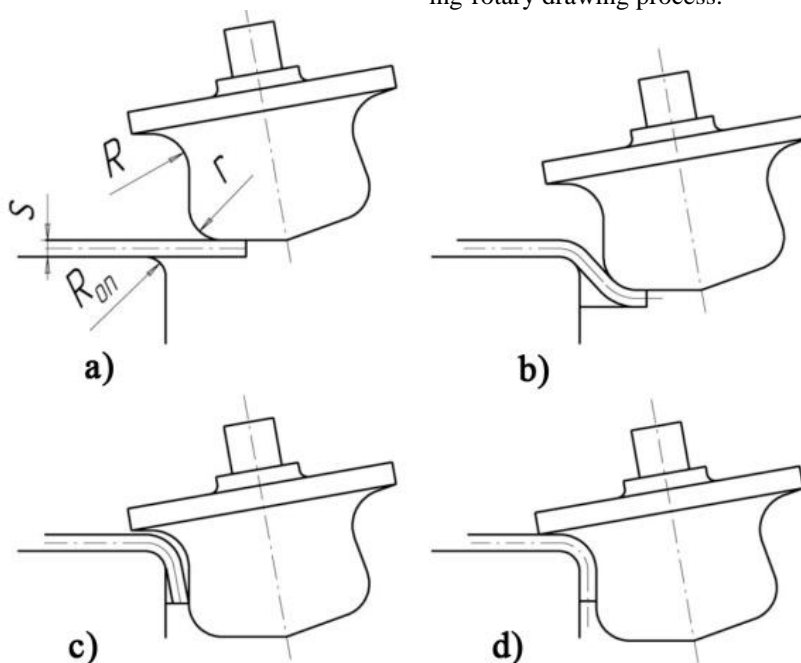


Fig. 2. Stages of flanges formation with the stamping by rolling method

The task of the research is to develop a combined process of forming inner and outer flanges on blanks stacks, to establish factors limiting the technological capabilities of the process and on the basis of the stress-strain state analysis and ductility of metals to ensure production of quality lids for fractional and distillation columns.

3. Results and discussion

In order to achieve the goal of the research, an installation was designed for the formation of outer and

inner flanges with a conical roll by the SR method, the general view of which is presented in Fig. 3a. Fig. 4 shows the process of forming the outer flanges of the lid of the fermentation column.

Technological capabilities of this process are limited by the risk of destruction of the outer layers of the bending center of the outer flange and its corrugation, as well as formation of the neck or destruction of the peripheral parts of the inner flange.



Fig. 3. Assembled representation of the SR installation: a) formation of inner flanges on the lid of the fermentation column; b) appearance of the lid of the fermentation column with the formed inner and outer flanges

To assess the deformability of the outer flange, let us investigate the stress-strain state of its bending center by the transverse force P , taking into account the strengthening. In this case, we neglect the action of the

cross-sectional force Q , due to the smallness of tangential stresses in the radial directions [3]. Let's substitute the action of the transverse force with the bending moment M , as shown in Fig. 5.

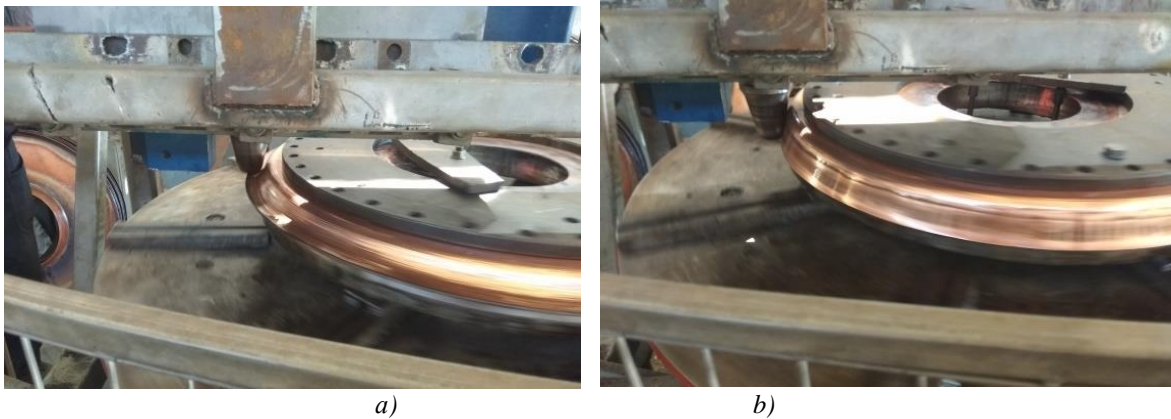


Fig. 4. The process of forming the outer flange of the lid of the fermentation column by the SR method: a) intermediate stage, b) the final stage

The stressed state of the element in bending zone will be three-dimensional, and the deformed one will be flat ($\varepsilon_z = 0$) [3]. General equation of equilibrium of the blank constant thickness zone element with axisymmetric deformation of the blank taking into account the forces of friction on the contact surface [3] will be as follows:

$$\rho \frac{d\sigma_\rho}{d\rho} + \sigma_\rho - \sigma_\theta - \frac{\mu\rho}{\sin\alpha} \left(\frac{\sigma_\rho}{R_\rho} + \frac{\sigma_\theta}{R_\theta} \right) = 0, \quad (1)$$

where σ_ρ is meridional tension; σ_θ – latitude stress; μ – coefficient of friction; ρ – distance from the axis of symmetry; R_ρ, R_θ – radii of curvature in meridional and latitudinal sections.

Under conditions when friction can be neglected, equation (1) takes the form:

$$\rho \frac{d\sigma_\rho}{d\rho} + \sigma_\rho - \sigma_\theta = 0. \quad (2)$$

Since we have an equation with two unknowns, let's supplement it with the energetic yield criterion:

$$\sigma_i = \frac{1}{\sqrt{2}} \sqrt{(\sigma_\rho - \sigma_\theta)^2 + (\sigma_\theta - \sigma_z)^2 + (\sigma_z - \sigma_\rho)^2}. \quad (3)$$

Under plain strain:

$$\sigma_z = \frac{\sigma_\rho + \sigma_\theta}{2}. \quad (4)$$

Then, taking into account (4), the yield criterion (3) will be written in the following form:

$$\sigma_\rho - \sigma_\theta = \frac{2}{\sqrt{3}} \sigma_s. \quad (5)$$

To obtain solutions that give analytical expression of the stress field taking into account hardening, it is necessary to have, firstly, an analytical expression of the hardening curve (dependence of yield strength on

strain). The use of the hardening curve in the coordinates in metal processing by pressure operations analysis leads to significant mathematical difficulties, even if the dependence of the yield strength on the intensity of deformation is given in a simple analytical function. These difficulties are due to the complex functional relationship of deformations. The hardening

curve is presented in the form of power approximation [3]:

$$\sigma_s = \sigma_m + A\varepsilon_i^n, \quad (6)$$

where σ_m is the yield tensile strength.

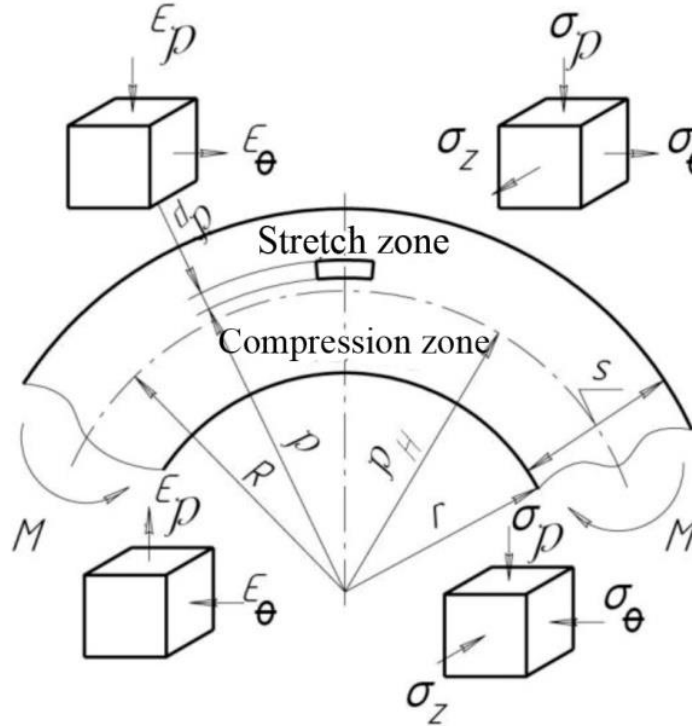


Fig. 5. Scheme of the stress-strain state of metal under bending

For the case of a plain strained state:

Then:

$$\varepsilon_\theta = -\varepsilon_\rho;$$

$$\varepsilon_z = 0.$$

(7)

$$\varepsilon_i = \frac{\sqrt{2}}{3} \sqrt{(\varepsilon_\theta - \varepsilon_\rho)^2 + (\varepsilon_\rho - \varepsilon_z)^2 + (\varepsilon_z - \varepsilon_\theta)^2} = \frac{2}{\sqrt{3}} \varepsilon_\theta. \quad (8)$$

As can be seen from Fig. 5:

$$\varepsilon_\theta = \frac{l - l_i}{l_i} = \frac{\rho}{\rho_i} - 1. \quad (9)$$

Taking into account that:

$$\ln(x) = \ln(1 + (x - 1)) \approx x - 1,$$

we shall obtain:

$$\varepsilon_\theta \approx \ln\left(\frac{\rho}{\rho_i}\right). \quad (10)$$

For the tensile zone (outer fibers), the stress distribution will be determined from the following equations:

$$\begin{cases} \rho \cdot \frac{\sigma_\rho}{d\rho} + \sigma_\rho - \sigma_\theta = 0; \\ \sigma_\rho(R) = 0; \\ \sigma_\theta - \sigma_\rho = \frac{2}{\sqrt{3}} \cdot \sigma_s; \\ \sigma_z = \frac{\sigma_\rho + \sigma_\theta}{2}; \\ \sigma_s = \sigma_m + A\varepsilon_i^n; \\ \varepsilon_i = \frac{2}{\sqrt{3}} \ln \frac{\rho}{\rho_u} \end{cases} \quad (11)$$

For the compression zone (internal fibers), respectively:

$$\left\{ \begin{array}{l} \rho \cdot \frac{\sigma_\rho}{d\rho} + \sigma_\rho - \sigma_\theta = 0; \\ \sigma_\rho(r) = 0; \\ \sigma_\rho - \sigma_\theta = \frac{2}{\sqrt{3}} \cdot \sigma_s; \\ \sigma_z = \frac{\sigma_\rho + \sigma_\theta}{2}; \\ \sigma_s = \sigma_m + A\varepsilon_i^n; \\ \varepsilon_i = \frac{2}{\sqrt{3}} \ln \frac{\rho_H}{\rho} \end{array} \right. \quad (12)$$

Having solved the system of equations (11) and (12), we shall find the stress distribution over the thickness of the blank, with consideration of the hardening.

For the tension zone:

$$\sigma_\rho = \frac{2}{\sqrt{3}} \cdot \left[\sigma_m \cdot \ln \left(\frac{\rho}{R} \right) + \frac{2^n}{\sqrt{3}^n} \cdot \frac{A}{n+1} \left[\left(\ln \frac{\rho}{\rho_H} \right)^{n+1} - \left(\ln \frac{R}{\rho_H} \right)^{n+1} \right] \right], \quad (13)$$

$$\sigma_\theta = \frac{2}{\sqrt{3}} \cdot \left[\sigma_m + A \cdot \left(\frac{2}{\sqrt{3}} \cdot \ln \frac{\rho}{\rho_H} \right)^n + \sigma_m \cdot \ln \frac{\rho}{R} + \frac{2^n}{\sqrt{3}^n} \cdot \frac{A}{n+1} \cdot \left[\left(\ln \frac{\rho}{\rho_H} \right)^{n+1} - \left(\ln \frac{R}{\rho_H} \right)^{n+1} \right] \right], \quad (14)$$

$$\sigma_z = \frac{2}{\sqrt{3}} \cdot \left[\frac{1}{2} \cdot \left[\sigma_m + A \cdot \left(\frac{2}{\sqrt{3}} \cdot \ln \frac{\rho}{\rho_H} \right)^n \right] + \sigma_m \cdot \ln \frac{\rho}{R} + \frac{2^n}{\sqrt{3}^n} \cdot \frac{A}{n+1} \cdot \left[\left(\ln \frac{\rho}{\rho_H} \right)^{n+1} - \left(\ln \frac{R}{\rho_H} \right)^{n+1} \right] \right], \quad (15)$$

for the compression zone:

$$\sigma_\rho = \frac{2}{\sqrt{3}} \cdot \left[\sigma_m \cdot \ln \left(\frac{r}{\rho} \right) + \frac{2^n}{\sqrt{3}^n} \cdot \frac{A}{n+1} \left[\left(\ln \frac{\rho_H}{\rho} \right)^{n+1} - \left(\ln \frac{\rho_H}{r} \right)^{n+1} \right] \right], \quad (16)$$

$$\sigma_\theta = \frac{2}{\sqrt{3}} \cdot \left[-\sigma_m - A \cdot \left(\frac{2}{\sqrt{3}} \cdot \ln \frac{\rho_H}{\rho} \right)^n + \sigma_m \cdot \ln \frac{r}{\rho} + \frac{2^n}{\sqrt{3}^n} \cdot \frac{A}{n+1} \cdot \left[\left(\ln \frac{\rho_H}{\rho} \right)^{n+1} - \left(\ln \frac{\rho_H}{r} \right)^{n+1} \right] \right], \quad (17)$$

$$\sigma_z = \frac{2}{\sqrt{3}} \cdot \left[-\frac{1}{2} \cdot \left[\sigma_m + A \cdot \left(\frac{2}{\sqrt{3}} \cdot \ln \frac{\rho_H}{\rho} \right)^n \right] + \sigma_m \cdot \ln \frac{r}{\rho} + \frac{2^n}{\sqrt{3}^n} \cdot \frac{A}{n+1} \cdot \left[\left(\ln \frac{\rho_H}{\rho} \right)^{n+1} - \left(\ln \frac{\rho_H}{r} \right)^{n+1} \right] \right]. \quad (18)$$

From formulas (13) and (16) it is seen that the stresses σ_ρ increase in absolute value as they move from the surface of the blank to its thickness.

On a neutral surface, when $\rho = \rho_i$, the stresses σ_ρ , determined for the compression and tensile zones, are equal. If we equate these stresses with each other we shall get:

$$\sigma_m \cdot \ln \left(\frac{\rho_i^2}{R \cdot r} \right) + \frac{2^n}{\sqrt{3}^n} \cdot \frac{A}{n+1} \left[\left(\ln \frac{\rho_H}{r} \right)^{n+1} - \left(\ln \frac{R}{\rho_H} \right)^{n+1} \right] = 0 \quad (19)$$

Fig. 6 demonstrates a scheme of the stress-strain state of metal in the bending center at stamping by rolling.

According to (13), (14) and (15) in the dangerous zone A stresses have the values:

$$\sigma_\rho = 0; \quad (20)$$

$$\sigma_\theta = \frac{2}{\sqrt{3}} \cdot \left[\sigma_m + A \cdot \left(\frac{2}{\sqrt{3}} \cdot \ln \frac{\rho}{\rho_H} \right)^n \right], \quad (21)$$

$$\sigma_z = \frac{1}{\sqrt{3}} \cdot \left[\sigma_m + A \cdot \left(\frac{2}{\sqrt{3}} \cdot \ln \frac{\rho}{\rho_H} \right)^n \right]. \quad (22)$$

Then, indicator η characterizing the stress state of the blank material is equal to:

$$\eta = \frac{\sigma_\rho + \sigma_\theta + \sigma_z}{\sigma_i} = \sqrt{3} \approx 1,73. \quad (23)$$

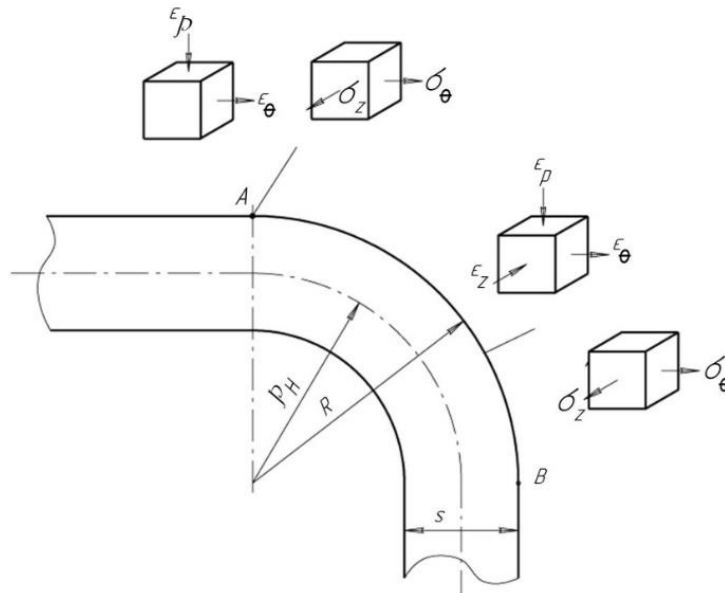


Fig. 6. The scheme of a stress-strain state of metal in the center of bending at stamping by rolling

That is, the stress indicator does not depend on the bending radius and is constant throughout the bending process.

Circular deformation on the outer fibers when bending the neutral surface to the radius ρ_i is:

$$\epsilon_\theta = \frac{R - \rho_u}{\rho_u} = \frac{s}{2 \cdot \rho_u} = \frac{s}{2 \cdot r + s} = \frac{s}{2 \cdot R_{on} + s} \quad (24)$$

According to (8), the intensity of the accumulated deformation on the outer fibers depending on the radius of the mandrel will be determined by the formula:

$$\epsilon_i = \frac{\sqrt{3} \cdot s}{2 \cdot R_{on} + s} \leq \epsilon_{*c} (\eta = 1,73), \quad (25)$$

where $\epsilon_{*c} (\eta = 1,73)$ is the intensity of the accumulated deformation, which can be perceived by the material without destruction in the stress-strain state, which is characterized by the indicator $\eta = 1,73$. The value of intensity is taken from the diagram of ductility,

which is constructed in the $\eta - \epsilon_{*c}$ coordinates. The diagram of ductility, or the curve of the ultimate strain for the material of lids of the fermentation columns M01 is shown in Fig. 7, and the values of the ultimate strain for the characteristic indicators of the stress state – in Table 1.

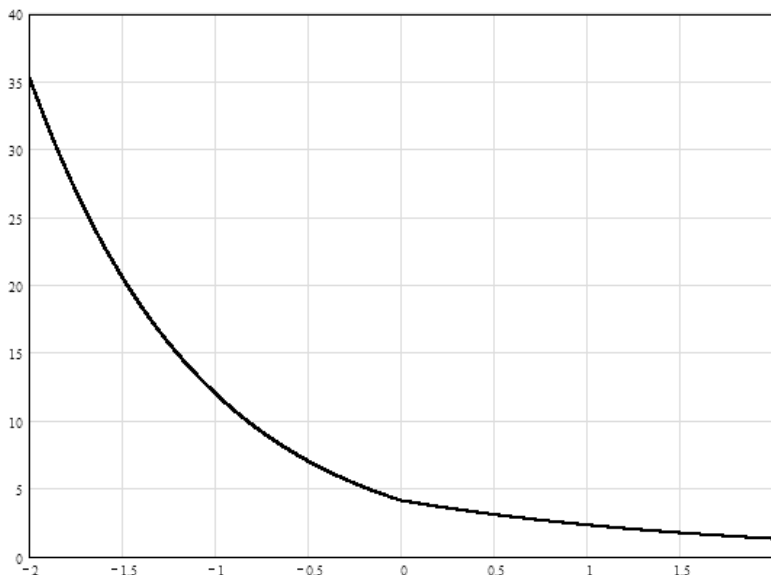


Fig. 7. Curve of the ultimate strain of copper M01

Ductility characteristics of copper M01

Material	Ultimate ductility of materials under compression, torsion and tension			Coefficients of the material sensitivity to changes in the stress state indicator	
	$\varepsilon_{*c}(\eta = -1)$	$\varepsilon_{*c}(\eta = 0)$	$\varepsilon_{*c}(\eta = 1)$	$\lambda_1 = \ln \frac{\varepsilon_{*c}(\eta = 0)}{\varepsilon_{*c}(\eta = 1)}$	$\lambda_2 = \ln \frac{\varepsilon_{*c}(\eta = -1)}{\varepsilon_{*c}(\eta = 0)}$
Copper M01	12,0	4,1	2,3	1,78	2,93

Then the minimal radius of the mandrel is determined by the formula:

$$R_{\min} = \frac{s}{2} \cdot \left(\frac{\sqrt{3}}{\varepsilon_{*c}(\eta = 1,732)} - 1 \right). \quad (26)$$

Given the fact that at the $\eta \geq 1$ values of the stress state indicator the curve of the ultimate strain is almost parallel to the abscissa axis and, in addition, the ultimate state is practically limited by the formation of the neck, the minimal radius can be determined by the formula:

$$R_{\min} = \frac{s}{2} \left(\frac{\sqrt{3}}{\varepsilon_{*c}(\eta = 1)} - 1 \right). \quad (27)$$

In the work of Barkay V.F. [4] the stress-strain state on the periphery of the flange during the rotary drawing was investigated. According to this research, in the flange the linear stressed and volumetric deformed states are realized:

$$\begin{aligned} \sigma_{\theta} &= \sigma_{\rho} = 0, \\ \sigma_z &= -\sigma_s, \\ \varepsilon_z &= -\frac{2B}{D}, \\ \varepsilon_{\theta} &= \varepsilon_{\rho} = -\frac{\varepsilon_z}{2} = \frac{B}{D}, \end{aligned} \quad (28)$$

$$B \approx \frac{D-d}{2}$$

Where $\frac{D-d}{2}$ is the width of the flange.

Then the stress index η is equal to [5]:

$$\eta = \frac{\sigma_{\theta} + \sigma_{\rho} + \sigma_z}{\sigma_i} = -1, \quad (29)$$

and the intensity of deformations accumulated on the periphery of the flange is:

$$\varepsilon_i = \frac{3}{2} \cdot |\varepsilon_z| = \frac{3B}{D} \leq \varepsilon_{*c}(\eta = -1). \quad (30)$$

From formula (30) we shall obtain the expression for determining the maximal width of the flange, on conditions of the product peripheral sections destruction prevention:

$$B_{\max} = \frac{D \cdot \varepsilon_{*c}(\eta = -1)}{3}. \quad (31)$$

The maximum width of the flange under the condition of a stable process without corrugations formation can be determined by the method [6]:

$$B_{\max} = \left(\frac{1}{\cos \sqrt{-c_1 + \sqrt{c_1^2 + c_2}}} - 1 \right) \cdot \frac{D}{2}, \quad (32)$$

$$\text{where } c_1 = \frac{19}{30} \cdot c_2;$$

$$c_2 = \frac{1}{\frac{631}{3150} + \frac{4 \cdot \sigma_s \cdot D^2 \cdot (1-\nu)^2}{20 \cdot E \cdot s^2}}.$$

As the maximal value of the flange the least of the values calculated by formulas (31) and (32) is taken.

It should be noted that ductility of copper M01 under uniaxial compression is quite high (see Table 1), thus the maximal width of the flange is limited by the risk of corrugation (32).

In Fig. 8 a diagram of the process of forming a flange with thinning of the wall is shown. In this case, the blank with a diameter D can be converted into a cylinder with a diameter d and a length L in the presence of rotational n and reciprocating motion S_{rev} . And since the volume of the metal does not change, the length of the part L when drawing will be:

$$L = h_f(D-d)/2d = h_f(K+1)/2 \quad (33)$$

where $h_f = (D-d)/2$ is the height of the flange, $K = D/d$ - degree of extraction. At $K=2, L=1.5 h_f$.

The formation of the flange with the thinning of the wall is carried out by rotary drawing due to the extrusion of the metal. The extruded metal is conventionally shown in Fig. 8a by the shaded excess triangles. As can be seen from the diagram, the part of the triangle that is in the bottom of the part is changed only slightly, but the part that forms the wall undergoes the greatest changes. Folding of the flange occurs due to the fact that any element of the deformed area, passing through the center of deformation in the presence of a bend, is drawn-down as a result of the transverse compression deformation.

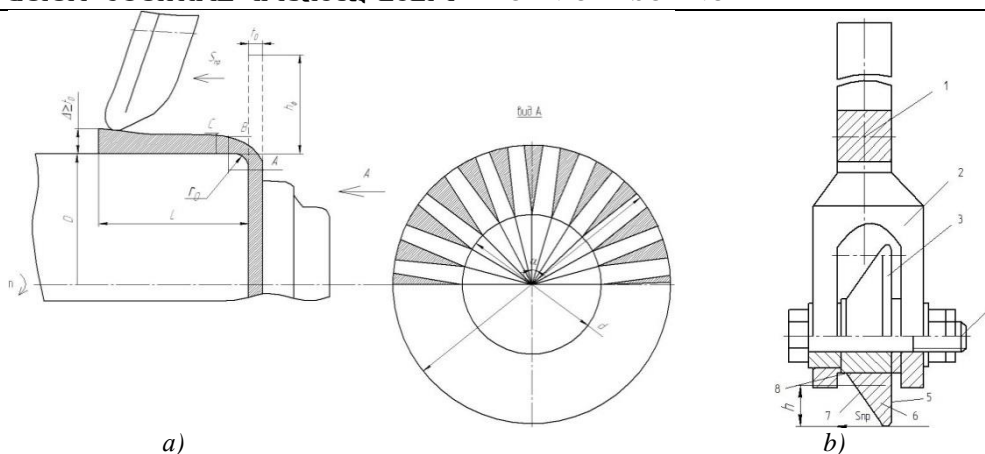


Fig. 8. The scheme of forming the flange with the wall thinning a) and structural elements of the pressure roller b)

The displaced volume of the metal can be defined by the expression:

$$V_{3M} = (t_0\pi/4)(D^2 - d^2) - (D - d)\pi dt_0/2 \quad (34)$$

where t_0 is the thickness of the original blank.

$$V_{3M} = (t_0\pi/4)(D^2 - d^2) - (D - d - 2d)(t_0\pi/4)(D - d)^2 \quad (35)$$

The degree of deformation is determined by the formula

$$\varepsilon = V_{3M} / V, \quad (36)$$

where V is the volume of the blank.

The specified degree of deformation varies from 0 to 1.

To improve the flow conditions of the metal and increase the mechanical hardening, not straight line S_{ln} operation of the pressure roller is used, but a curvilinear one with the radius $R = r_0 + t_0$.

The folds formed on the outer flanges are due to the action of circular compressive stresses, as less energy is used to form folds on the flange than when crimping. On the other hand, if the part has a very large thinning, then tilting the flange back and forth requires less energy than increasing the diameter in the radial plane.

Stability and productivity of rotary drawing of parts depends on the following factors: degree of strain, advance and frequency of the blank rotation, geometrical characteristics of the tool working surface, radius

of the mandrel end part, the tilt angle of the roller axis to the axis of the mandrel, diameter of the roller, greasing, cooling.

To reduce the waviness of the blank surface, rollers of large diameters (100-350 mm) are used, as they have a more rigid fixing.

When drawing the inner flanges of the blanks stacks, radial compressive stresses and tangential tensile stresses work in the material. The action of tangential stresses causes a loss of stability of the flange by way of neck formation. Recently, in the technology of metal forming, in order to assess the quality of stamping of sheet materials, diagrams that establish the relationship between the main logarithmic strains e_1 and e_2 at the moment of stability loss are widely used [7, 8]. With the help of such diagrams the level of ultimate strain in the plane of the sheet is distinguished. To construct such diagrams, samples of sheet metal are put to tests, during which the ratio of the main deformations $\alpha = e_2/e_1$ should remain constant. Based on the tests, the dependence of the ultimate strain e_1 on e_2 is obtained. If in the technological operation the values of strains e_1 and e_2 will correspond to the point below the boundary curve, then there will be no loss of stability when stamping such a product. Fig. 9 shows diagrams of ultimate strains for two materials [9].

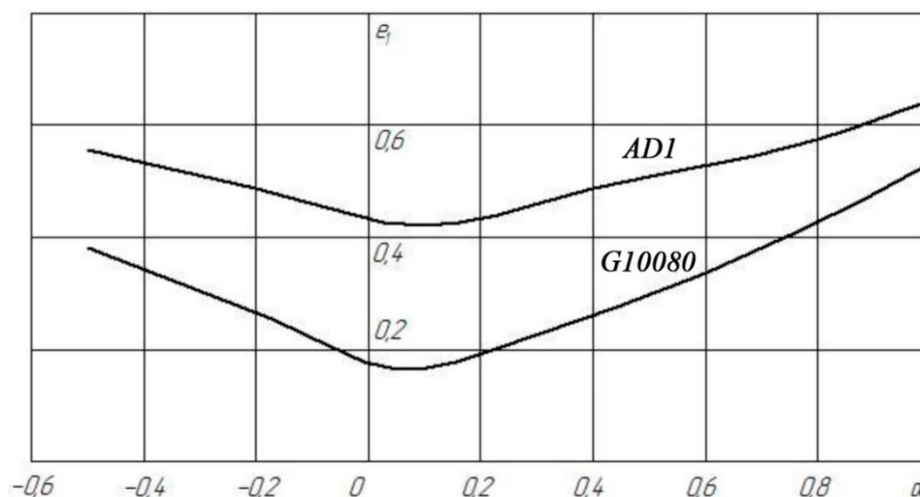


Fig. 9. Diagrams of ultimate strains for steel G10080 and aluminum AD1

6. Conclusions

Production of the outer and inner flanges of the lids of distillation and fractional columns using blank stacks by the stamping by rolling method has been investigated. Analysis of metal forming and stress-strain state of the blanks was carried out in order to assess and expand the technological capabilities of the process. The main factors limiting technological capabilities are the loss of stability and destruction of blanks. Formulas are obtained for determining the minimal radius of the mandrel to prevent fracture of blanks under bending and maximal width of the flange, provided control of the peripheral areas destruction.

When forming the outer flanges, the main danger is material corrugating, thus an expression for determining the maximal width of the flange under the condition of a stable process is obtained in the research. If it is necessary to have more developed flanges, it is proposed to eliminate corrugation by thinning the wall with a rotary drawing method. In producing internal flanges, it is recommended to prevent the loss of stability of the flange through the neck formation by the way of realizing the state of plain-strain deformation on the basis of the ultimate strain diagrams construction.

References

1. Mogilny N.I. (1983). Rotational drawing of shell parts on machine tools. *Mashinostroenie*. [in Russian].
2. Matviichuk, V. A., Aliyev, I. S. (2009). *Sovershenstvovanie processov lokal'noj rotacionnoj obrabotki davleniem na osnove analiza deformiruemosti metallov: Monografija* [Improvement of processes of local rotary pressure treatment on the basis of the analysis of metal deformability: Monograph]. Kramatorsk: DGMA [in Ukrainian].
3. Popov E.A. (1977). *Foundations of the theory of sheet stamping*. Mechanical. [in Russian].
4. Barkaya V. F. (1976). *Forming sheet metal*. Metallurgy. [in Ukrainian].
5. Solona, O., Derevenko, I., Kupchuk, I. (2019). Determination of plasticity for pre-deformed billet. *Solid State Phenomena*, 291:110–120. DOI: 10.4028/www.scientific.net/SSP.291.110. [in English].
6. Barkaya V.F., Ruzanov F.I. (1973). Determination of the critical width of the flange during rotary rolling of cylindrical shells. *Forging and stamping production*. [in Russian].
7. Del G.D., Osipov S.S. (1987). Limiting deformations in the formation of parts from a sheet. *Izvestiya vuzov. Aviation technology*. [in Russian].
8. Kaletnik, G. (2013) *Osnovy inzhenernykh metodiv rozrakhunkiv na mitsnist i zhorstkist* [Basic engineering methods of rozrakhunkiv on the city and the market] Kiev: "High-Tech Press" [in Ukrainian].
9. Sivak, R. (2017). Evaluation of metal plasticity and research on the mechanics of pressure treatment processes under complex loading. *Eastern-European journal of enterprise technologies*. [in English].